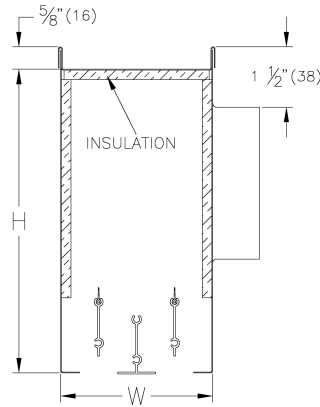
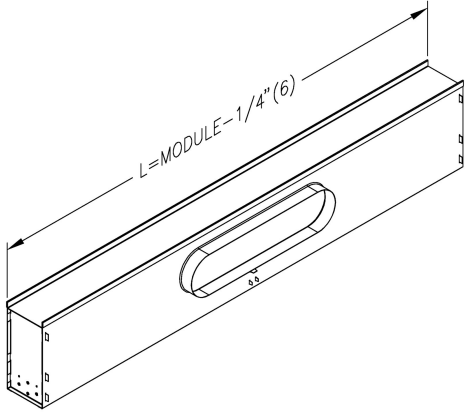


**TBDI4150 1 1/2" Slot with Blade Pattern Controller**

Module Length	Slot Quantity	Width (W)	Nom. Inlet	Height (H)
48"	2	5"	12" OVAL = 6" x 15 7/32"	11"



**Material:**

- Plenum: Coated Steel
- Pattern Controllers: Extruded Aluminum
- Centre Tee: Extruded Aluminum
- Blades are supplied with Vinyl Blade Edge Seal

**Insulation Options:**

- CF - Coated Fiberglass Insulation

**Notes:**

- 2 Slot Diffuser
- 1 1/2" (38) Slot Width
- Blades are field adjustable toward or away from the diffuser inlet side
- For use with 1" (25) flat tee ceiling grid
- TBDI4 Endcaps are uninsulated
- Factory tolerance  $\pm 1/32"$  (1)

**Finish:**

- Blades - B17: Black
- BFS: Black Face Surfaces
- Centre Tee - B12: Standard White

**PROJECT:**  
**ENGINEER:**  
**DESCRIPTION:** Insul T-Bar Supp Diff, Straight Blade, 1 1/2" Slot  
TBDI4150//1/48/2//IMP/6x15.218//CF/BFS//B12

**SUBMITTAL NO:** 258591-B  
**CUSTOMER:**

**SUBMITTAL DATE:** 6/24/2020